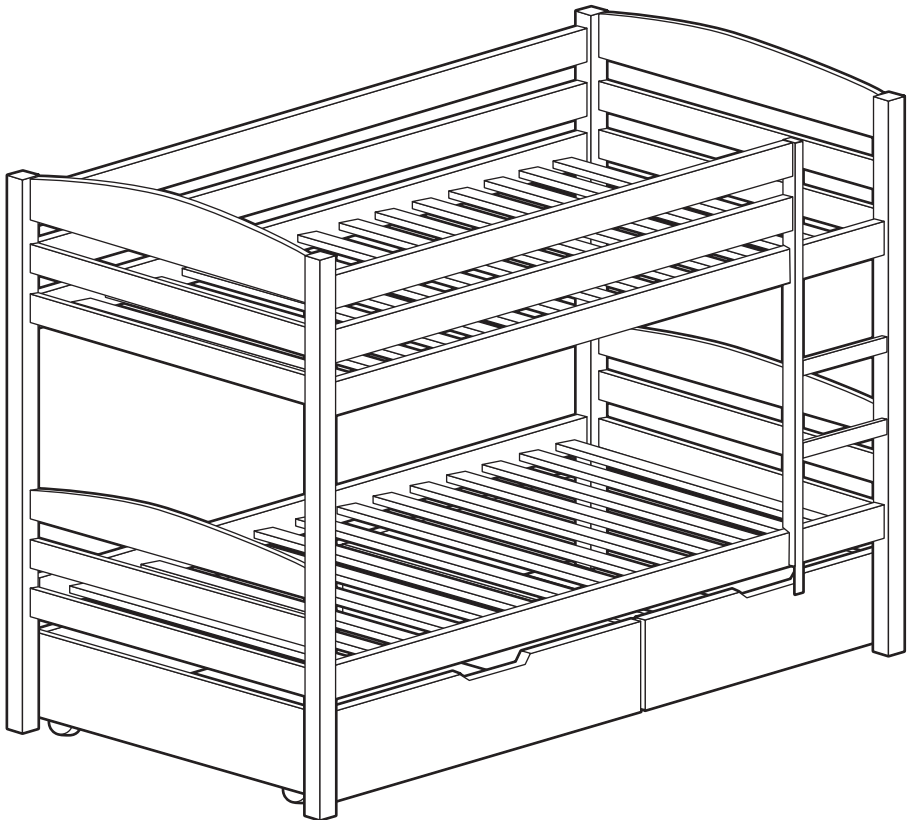


NEW AIM PTY LTD

BBed-JM01

JM-01



Made in China

Safety Precaution



TOP BUNKS AND ELEVATED BEDS ARE DANGEROUS AND ARE NOT RECOMMENDED FOR CHILDREN UNDER THE AGE OF 9

Falls from elevated beds can be fatal and deaths have occurred where children have fallen from elevated beds. This is relevant for all ages. The risk is greater for younger children.

The risk of injury or death from a fall from an elevated bed compared to a non-elevated bed is:

10 x greater for 7-8 year olds

7 x greater for 9-10 year olds

3 x greater for 11-12 year olds



THE UPPER BUNK MUST BE MORE THAN 2 M FROM ANY CEILING FAN.

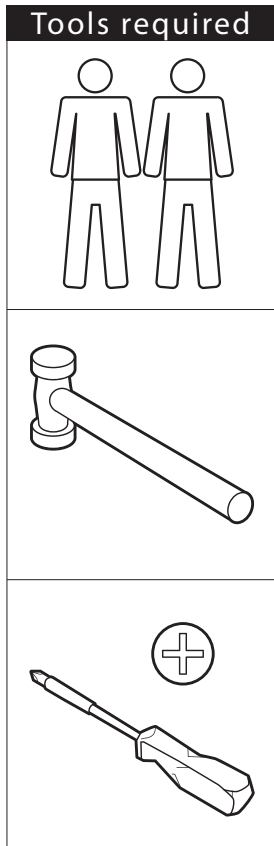
Safety Precaution

READ THESE INSTRUCTIONS CAREFULLY BEFORE ATTEMPTING TO ASSEMBLE THIS BED

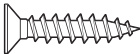

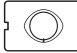


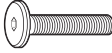

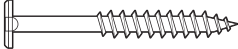
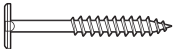


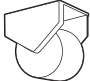
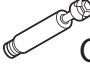

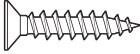
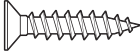
SAFETY WARNINGS AND GENERAL INSTRUCTIONS

- ✓ Follow the instruction on the **WARNING** labels on top bunk and the package.
DO NOT REMOVE THE LABELS FROM THE BED
- ✓ Always use the recommended size mattress, mattress support, or both, to prevent the likelihood of entrapment or falls
- ✓ The top surface of the mattress must be at least 5 inches below the upper edge of the guardrails
- ✓ Weight Capacity on top bunk is 65kg
- ✓ **DO NOT** allow horseplay on the bunk bed. Always **PROHIBIT** jumping on the bed
- ✓ Children **SHOULD BE** discouraged from playing on the bunk bed
- ✓ Periodically check and ensure that the guardrail, access device and other components are maintained in the correct position and state of repair and that all connectors are tight
- ✓ **DO NOT** use any substitute parts. Contact the manufacturer or dealer for replacement parts
- ✓ **STRANGULATION HAZARD** - Never attach or hang items to any part of the bunk that are not designed for use with the bed, but not limited to hooks, belts, or jump ropes
- ✓ Keep these instructions in a safe place for future reference

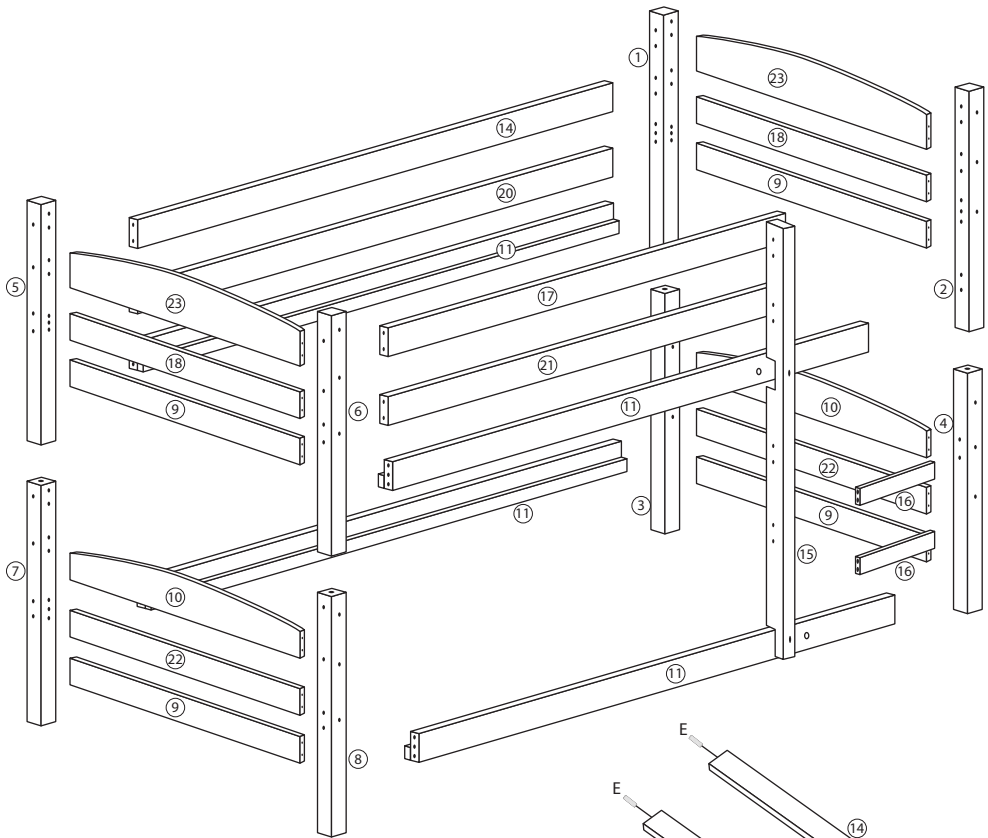
Part List



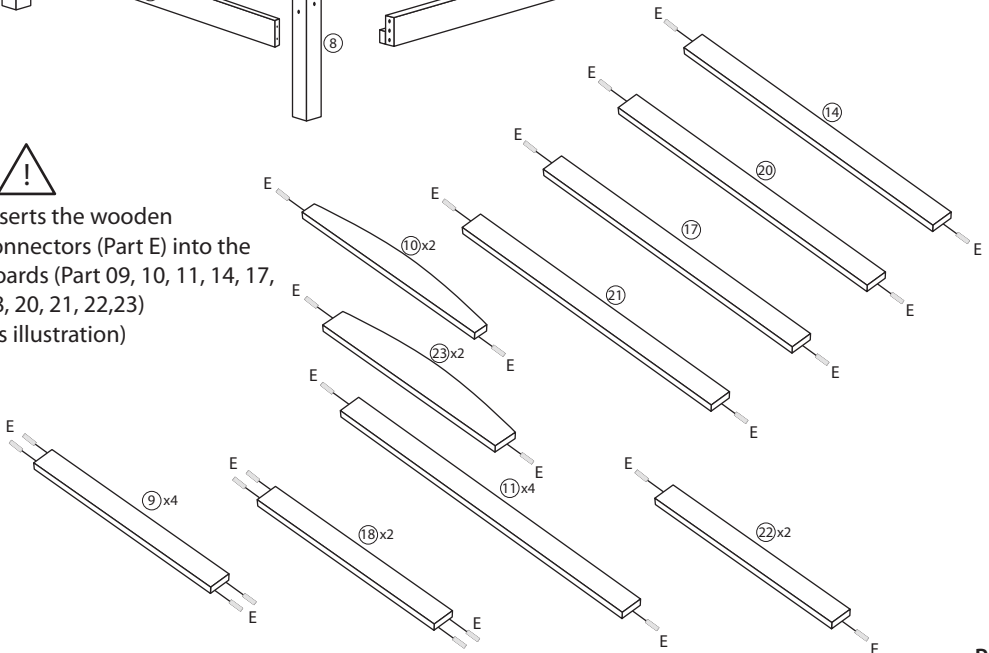
Lay out all the parts and check the quantity

A		64
B		24
C	 Nut	24
D	 Allen Key	1
E	 Wood dowel	56
K	 K ₁  K ₂	2
G		26
H		6
F		4
M		8
N	 Wheel	8
O	 O ₁  O ₂	O ₁ :12 O ₂ :12
P		8
Q		16

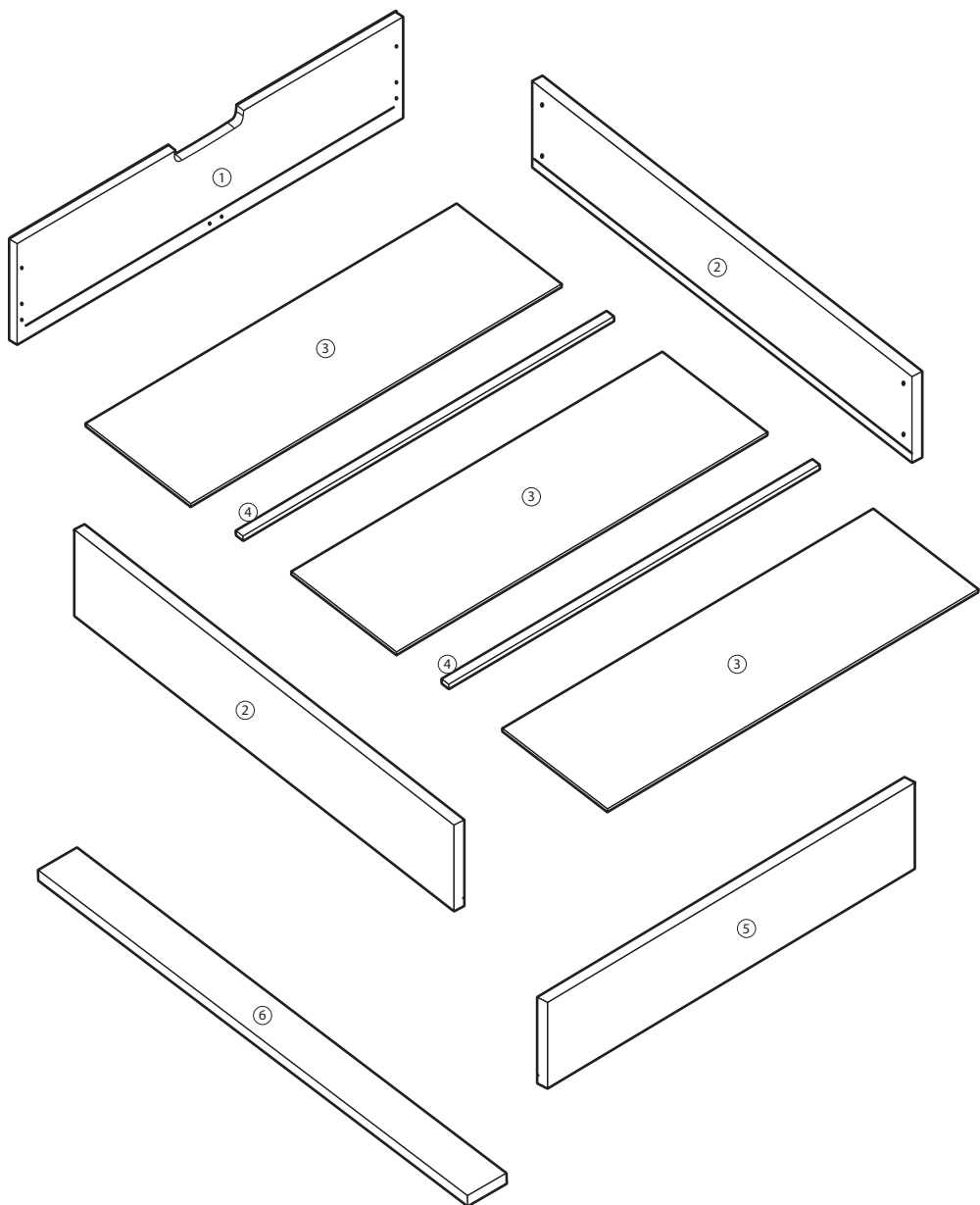
Bunk Bed Part List



Inserts the wooden connectors (Part E) into the boards (Part 09, 10, 11, 14, 17, 18, 20, 21, 22, 23) (as illustration)



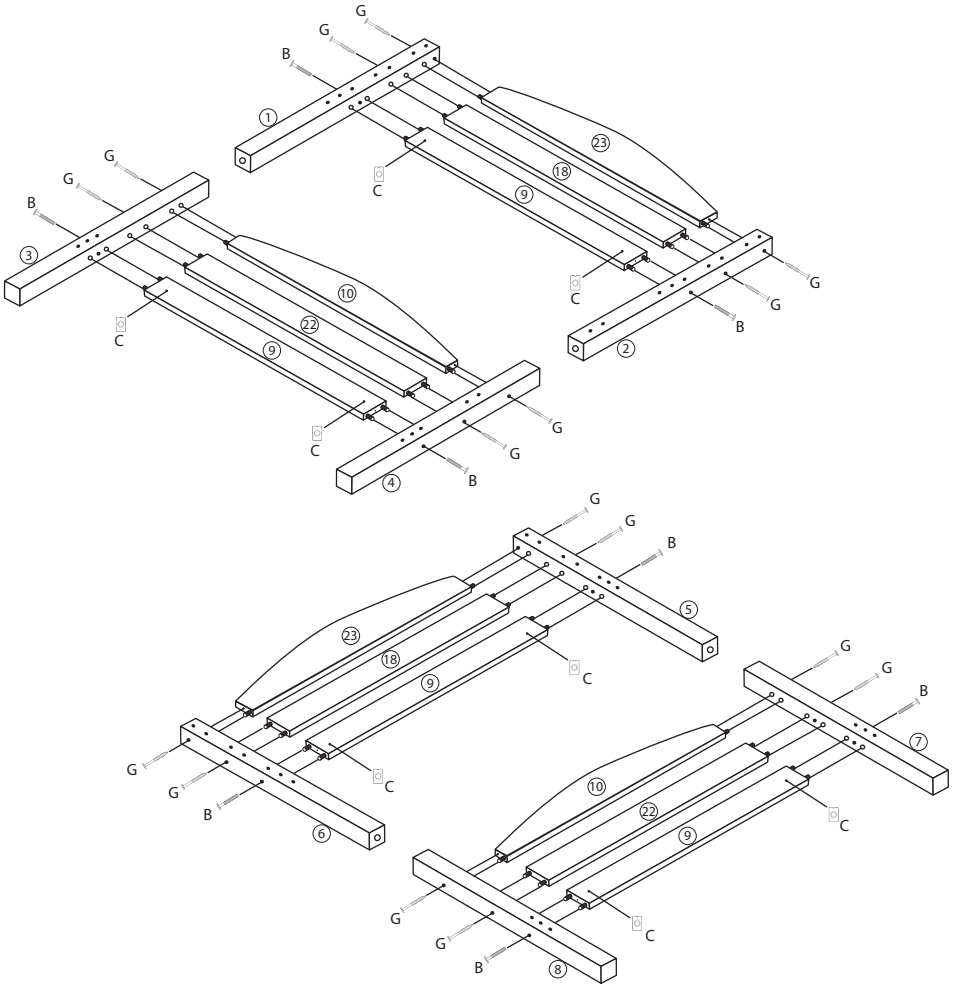
Drawer Part List



Instructions

Step 1: Headboard and Footboard

Headboard Insert bolts (Part B & G) into the posts (01 & 02). Place the nuts (Part C) on each end of headboards (09). Screw the bolts through the posts and headboards securely. Insert bolts (Part B & G) into the posts (03 & 04). Place the nuts (Part C) on each end of headboards (09). Screw the bolts through the posts and headboards securely.

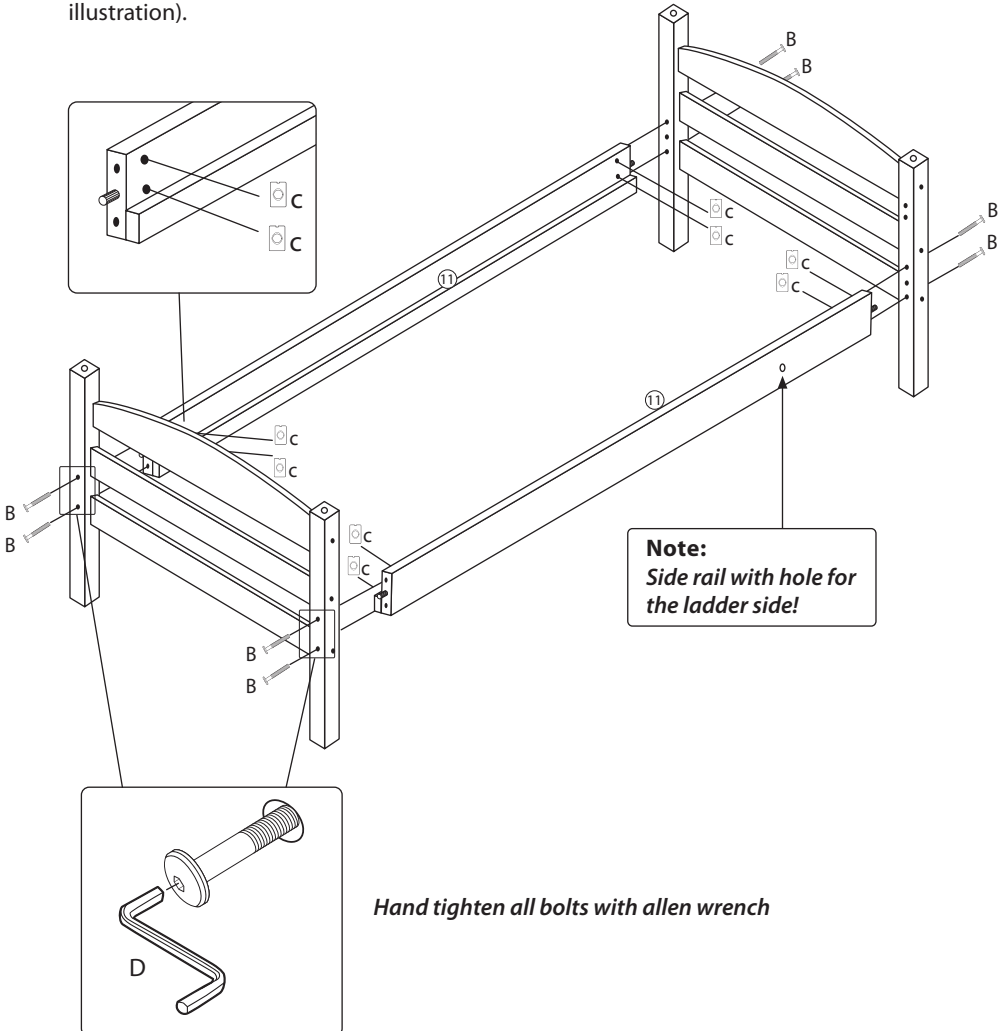


Footboard Insert bolts (Part B & G) into the posts (05 & 06). Place the nuts (Part C) on each end of footboards (09). Screw the bolts through the posts and footboard securely. Insert bolts (Part B & G) into the posts (07 & 08). Place the nuts (Part C) on each end of footboards (09). Screw the bolts through the posts and footboard securely.

Instructions

Step 2: Lower Bunk

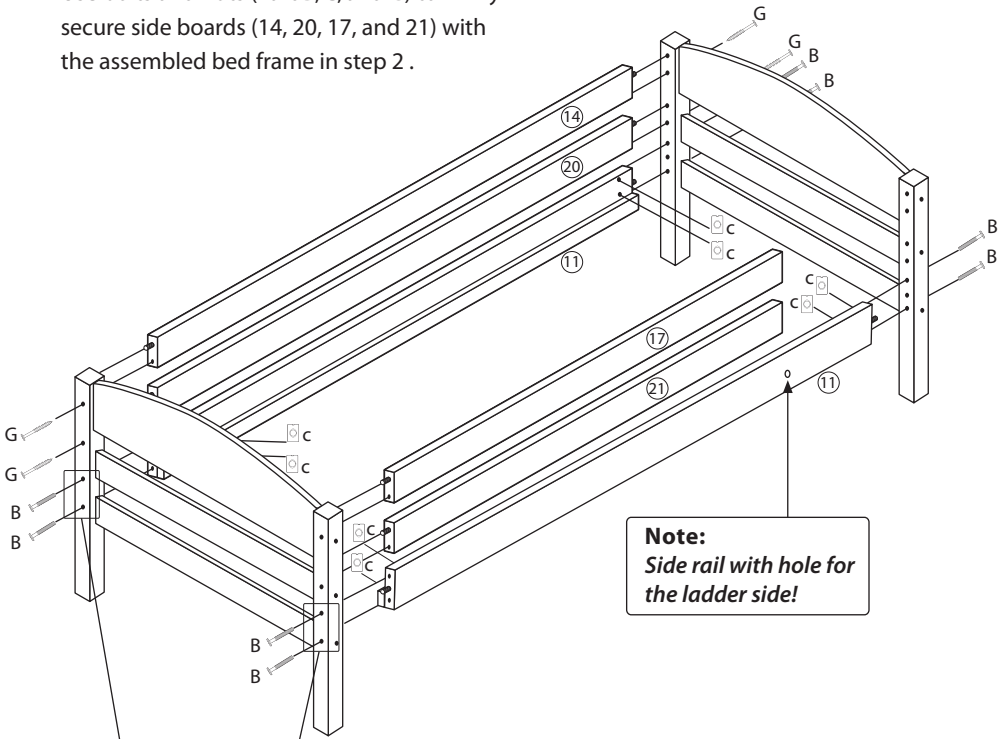
Use bolts and nuts (Part B and C) to secure the side rails (Part 11) with the assembled headboard and footboard, forming 2 bed frames (as illustration).



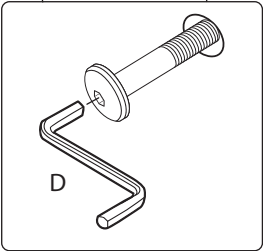
Instructions

Step 3: Upper Bunk

Use bolts and nuts (Part B, C, and G) to firmly secure side boards (14, 20, 17, and 21) with the assembled bed frame in step 2.



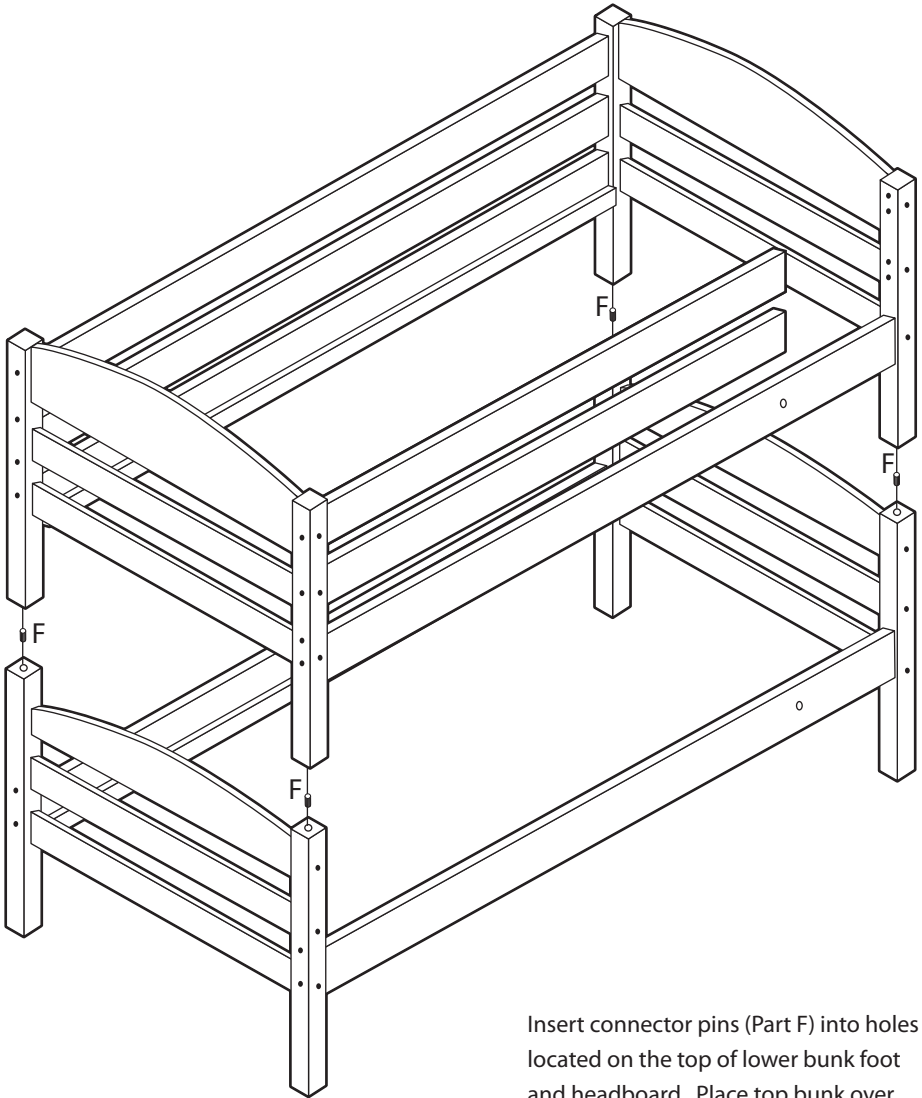
Note:
Side rail with hole for the ladder side!



Hand tighten all bolts with allen wrench

Instructions

Step 4: Connecting the upper bunk with the lower bunk



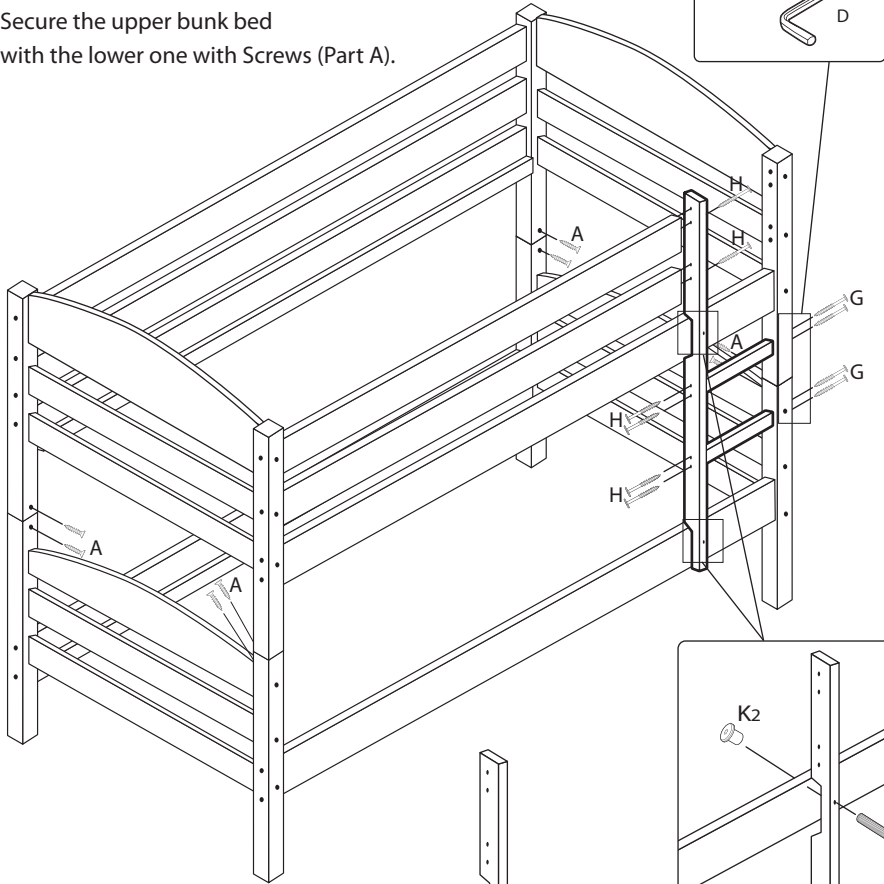
Insert connector pins (Part F) into holes located on the top of lower bunk foot and headboard. Place top bunk over pins and onto lower bunk

Instructions

Hand tighten all bolts with allen wrench

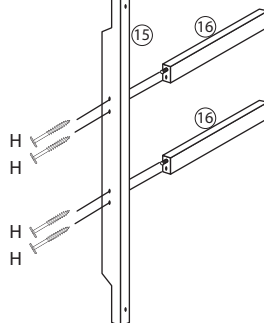
Step 5: Secure the upper bunk bed and ladder

Secure the upper bunk bed with the lower one with Screws (Part A).



Ladder

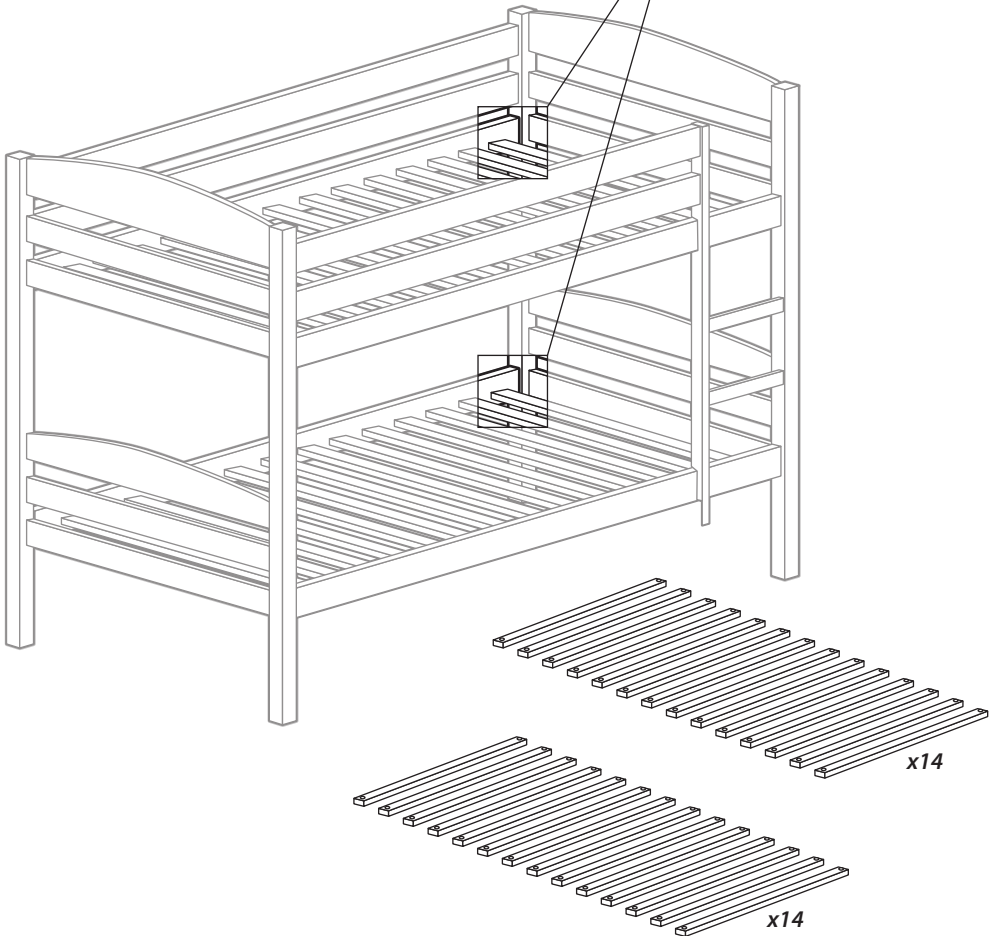
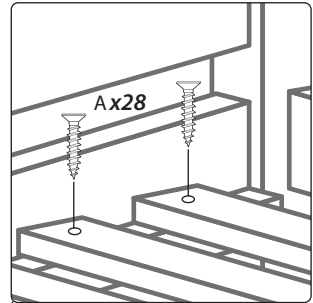
Use Screws (Part G, H, and K) to secure the side rail in the upper bunk with vertical ladder support (Part 15), and the horizontal ladder support (Part 16) with both vertical ladder supports (Part 15) and post.



Instructions

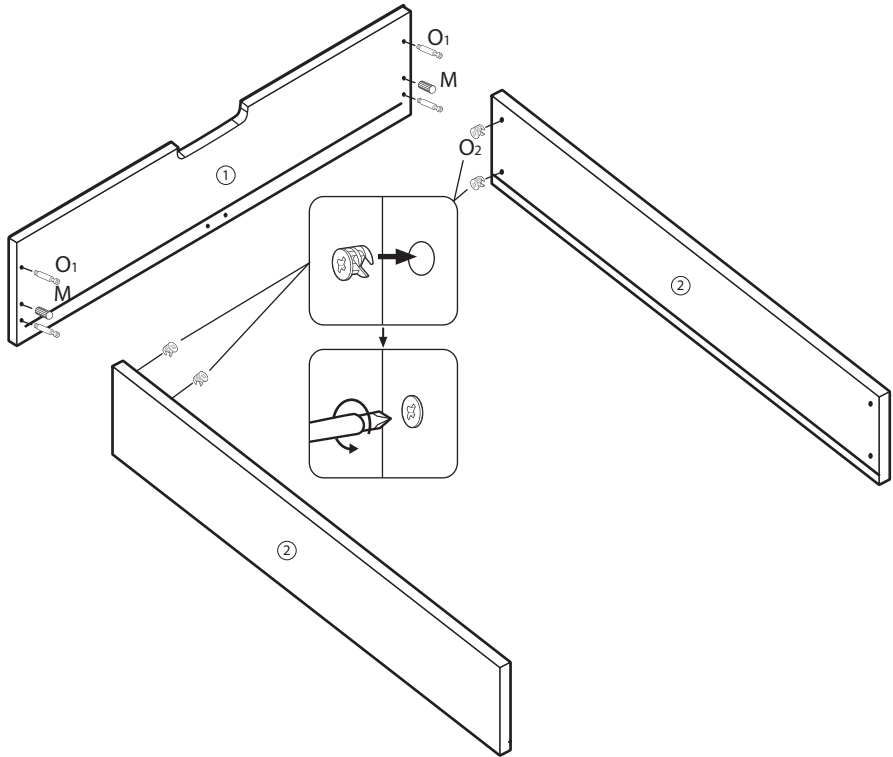
Step 6: Mattress Support Slat Set

Insert the slats into the slots in the mattress side rails. Ensure there is a slat in every slot. Secure each of the slats in the slots with screws (Part A) to the assembled frame in step 5.



Instructions

Step 7: Drawers

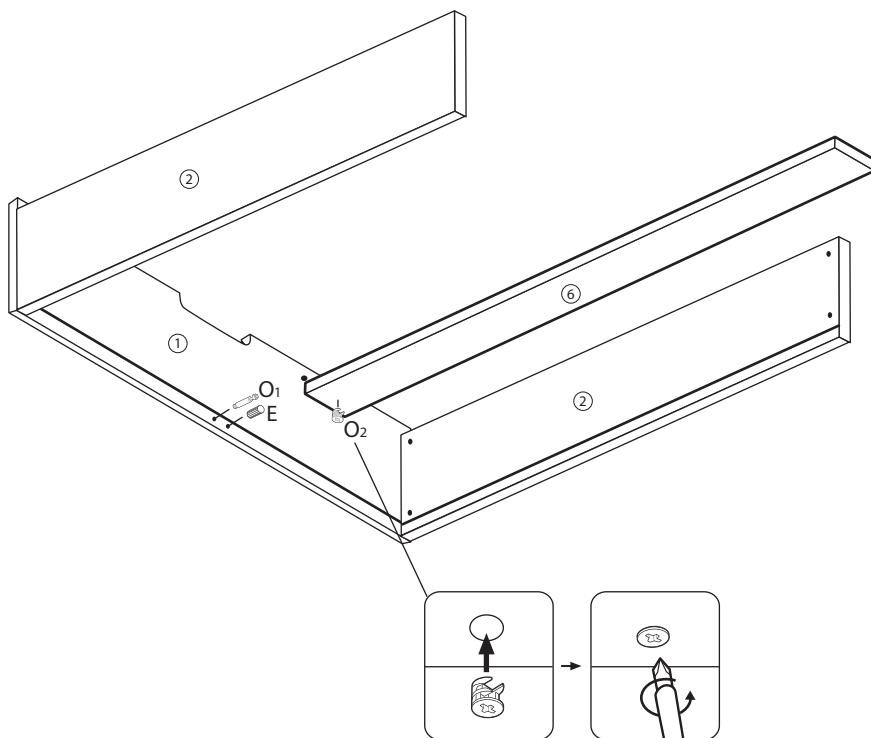


Use the wooden connectors (Part M) and bolts (Part O) to combine the side (Part 2) with the front board of the drawers (Part 1).

Phillips-head (Crosshead) screwdriver is required.

Instructions

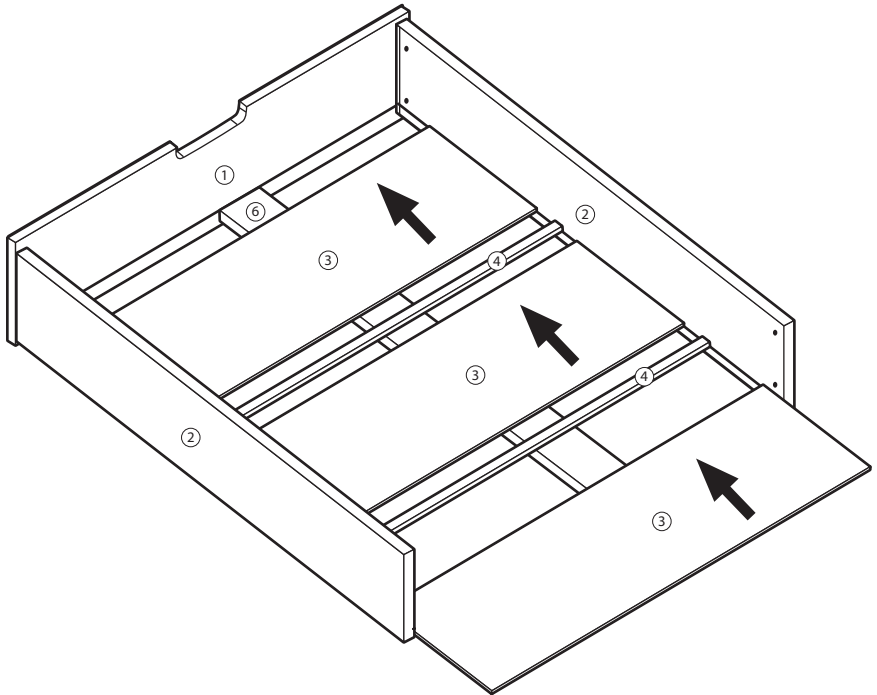
Step 8:



Use the wooden connectors (Part E) and bolts (Part O) to secure the underneath support (Part 6) with the front board of the drawer (Part 1).

Instructions

Step 9:

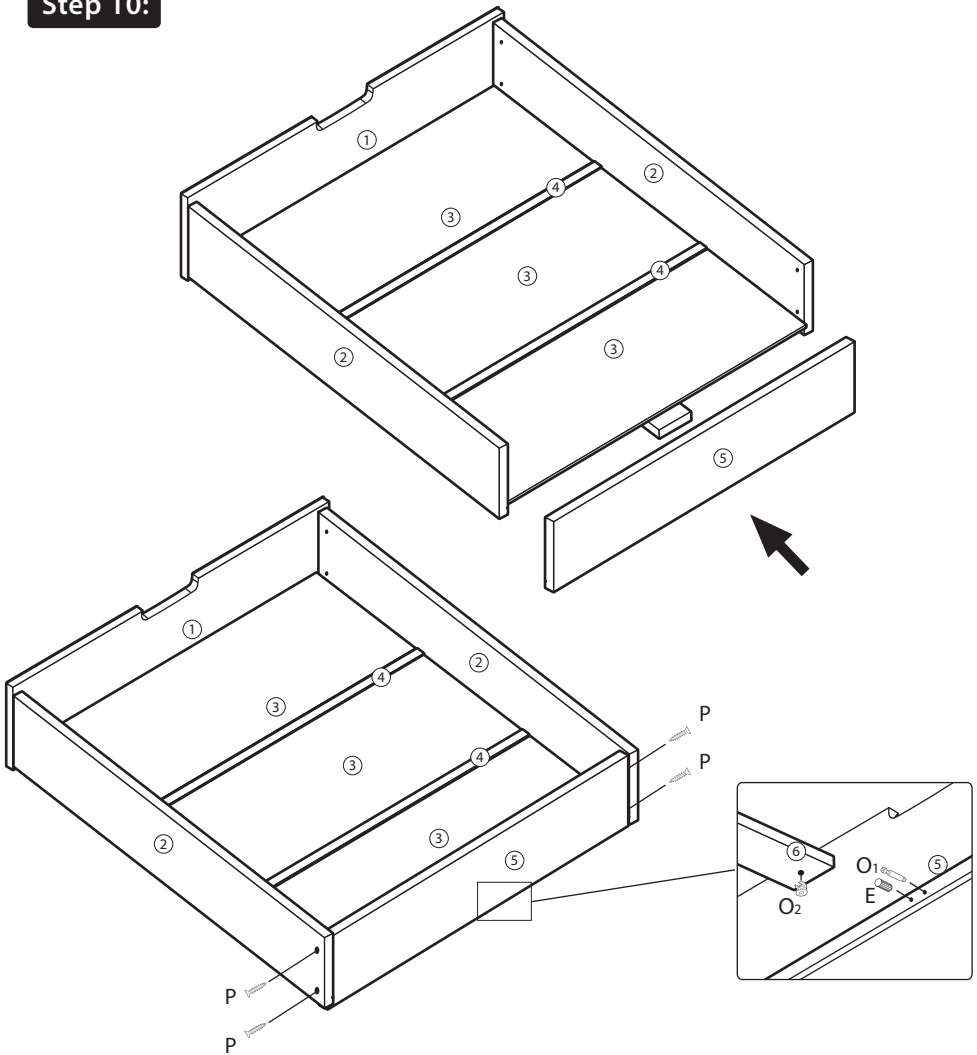


As the illustrated direction, slide the parts (Part 3 & 4) into the assembled parts in step 2.

The order is Part 3, Part 4, Part 3, Part 4 and lastly Part 3.

Instructions

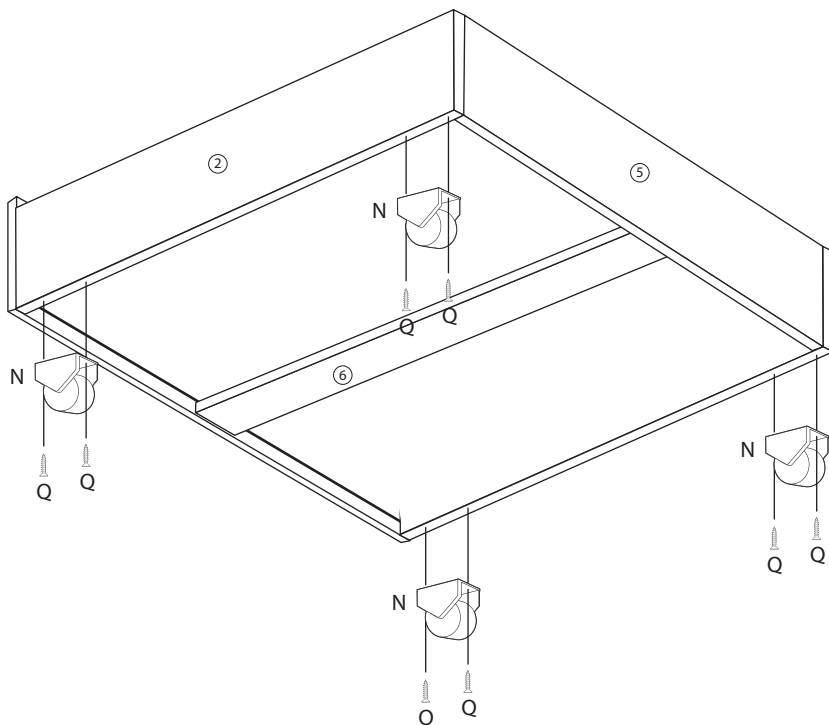
Step 10:



Combine the end part of the drawer (Part 5) to the assembled drawer in step 9 with screws (Part O & P) and wooden connectors (Part E)

Instructions

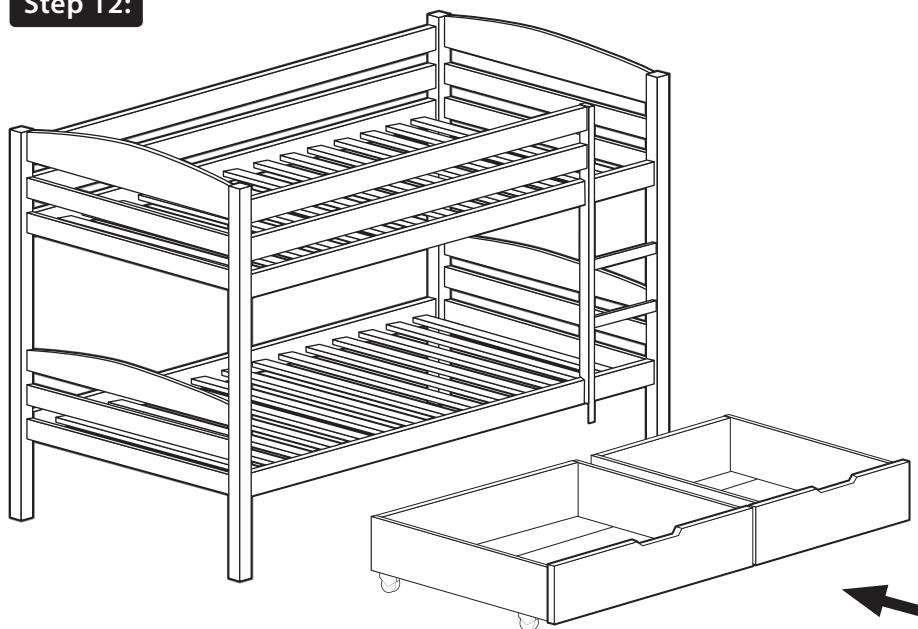
Step 11:



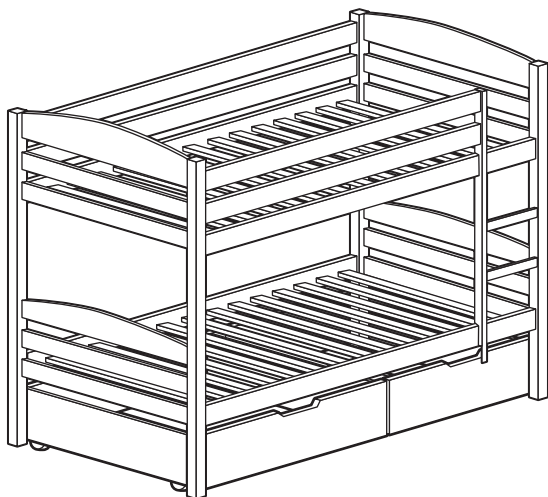
Screw the wheels (Part N) into the all corners of drawer with Part Q.

Instructions

Step 12:



Repeat the steps above to assemble the other drawer and put both drawers underneath the bunk bed.



Finish

Your bunk bed assembly is now complete. Please review all safety instructions.